

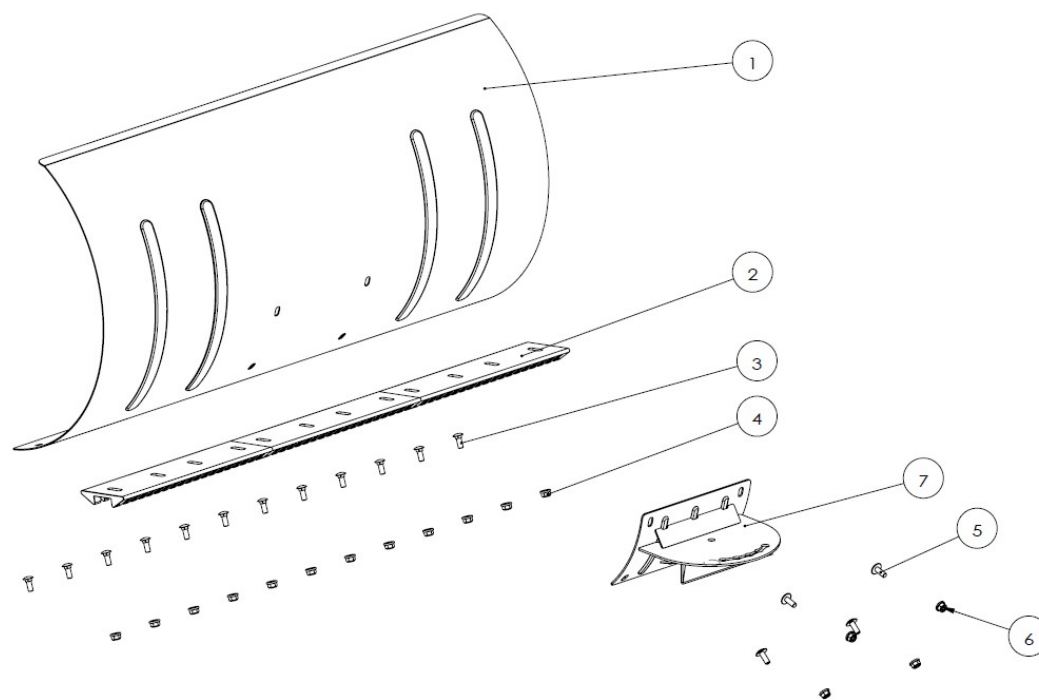
FUXTEC

wheeled snow shovel

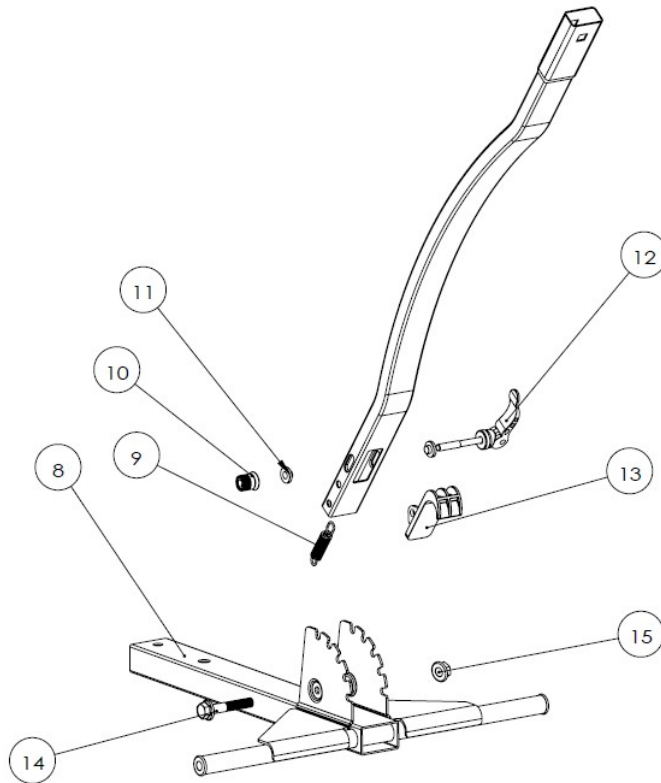
FX-SS740

Assembly instruction

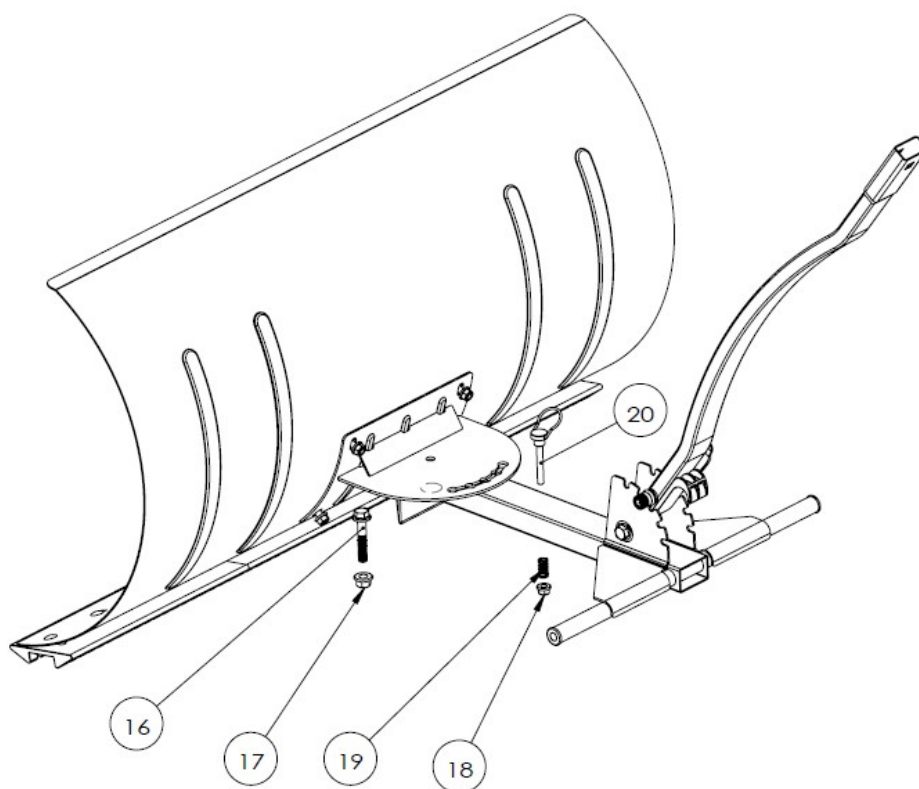




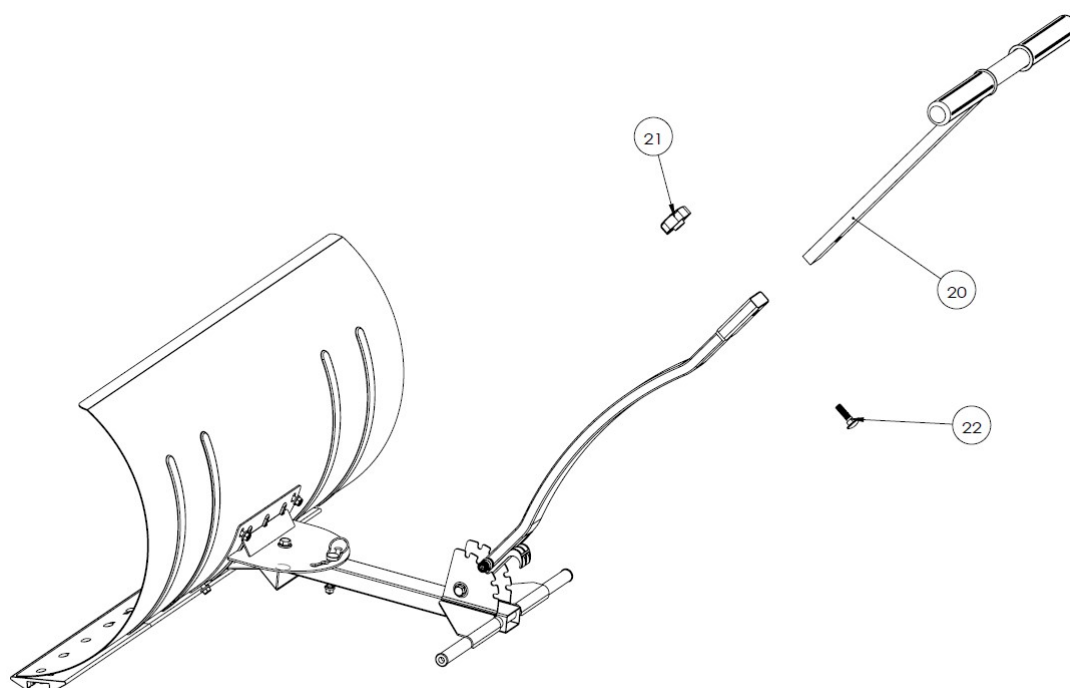
NO.	NAME	QTY
1	Snow blade	1
2	Cleaning strip	3
3	M6 * 20 square socket head screws	12
4	M6 * 20 square socket nut	12
5	M6 * 20 hexagon socket head screws	4
6	M6 * 20 hexagon socket head nut	4
7	Angle plate	1



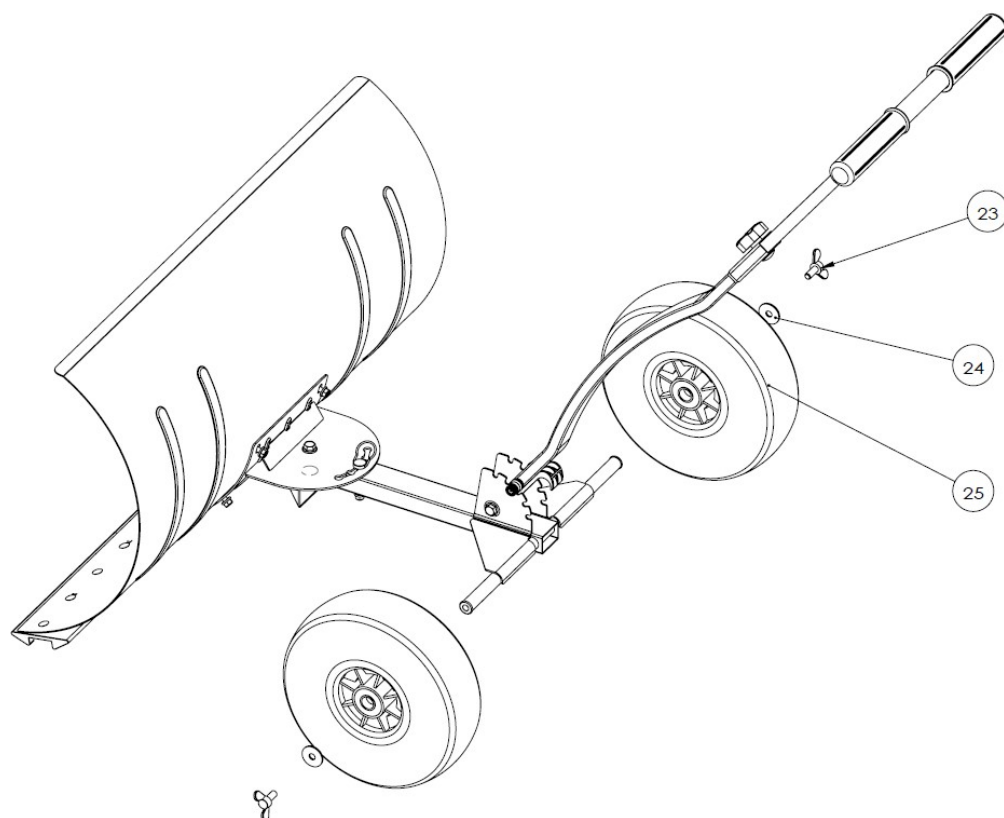
NO.	NAME	QTY
8	Main bracket	1
9	Tension spring	1
10	Aluminium nut	1
11	Plastic seal	1
12	Aluminium jack	1
13	Plastic rod end	1
14	M6 * 40 flat screw	1
15	Screw nut	1



NO.	NAME	QTY
16	M6 * 45 flat screw	1
17	M8 flat screw	1
18	M6 flat screw	1
19	Coiled spring pin	1
20	Fixing pin	1



NO.	NAME	QTY
20	Upper rod with the handle	1
21	Plastic nut	1
22	M8*30 round head screw with a square nose	1



NO.	NAME	QTY
23	Butterfly screw	2
24	20*8,2*2 discs	4
25	Wheels	2