

FUXTEC

Original User Manual

20V

Cordless Hedge Trimmer FX-E1HS20



WARNING: Before starting work, please read the operating manual carefully, as it contains all the important information and safety instructions that must be followed in order to use this equipment properly.

FUXTEC GmbH
KAPPSTR.69 , 71083 HERRENBERG - GÜLTSTEIN , GERMANY

Contents

Introduction and safety.....	3
Intended use.....	3
General safety information for power tools	3
Workplace safety.....	3
Electrical safety	3
Personal safety	4
Use and handling of the power tool.....	4
Use and handling of the cordless tool.....	5
Safety information for hedge trimmers	5
General safety information	5
Before use.....	6
During use.....	6
After use	8
Safety information for the charger	8
Safety information for Li-Ion batteries.....	9
Presentation	10
Switching the device on/off	12
Operating notes.....	12
Maintenance and care.....	13
Disposal	14
Technical data	15
Declaration of Conformity.....	16

Introduction and safety

Never allow children or persons not familiar with these instructions to use the garden device. Children should be supervised to ensure that they do not play with the device.

Intended use

This garden device is designed for trimming and cutting hedges and bushes in the home. The device to be used in accordance with the descriptions and safety information provided in this manual. Any other use is not intended. Any other use is not in accordance with the intended purpose and will invalidate the warranty and result in the rejection of any responsibility on the part of the manufacturer. The user is liable for all damage to third parties and their property. Operate the device only in the technical condition specified and delivered by the manufacturer. Unauthorized modifications to the device preclude the manufacturer's liability for any resulting damage.

General safety information for power tools

WARNING!

Read all safety information and instructions. Failure to follow the safety information and instructions may result in electric shock, fire and/or serious injury.

Keep all safety information and instructions for future reference.

The term power tool used in the safety information refers to both mains-operated power tools (with power cord) and battery-powered power tools (without power cord).

Workplace safety

- Keep your work area clean and well lit. Clutter or unlit work areas can lead to accidents.
- Do not work with the power tool in potentially explosive environments containing flammable liquids, gases or dust. Power tools generate sparks that can ignite the dust or vapours.
- Keep children and other people away while using the power tool. If distracted, you may lose control of the device.

Electrical safety

- The plug of the power tool must fit into the socket. The plug must not be altered in any way. Do not use adapter plugs together with grounded power tools. Unmodified plugs and suitable sockets reduce the risk of electric shock.
- Avoid physical contact with earthed surfaces such as pipes, heaters, stoves and refrigerators. There is an increased risk of electric shock if your body is earthed.

- Keep power tools away from rain or wet conditions. Water entering a power tool increases the risk of electric shock.
- Do not use the cord to carry or hang the power tool or to unplug the power tool from the wall outlet. Keep the cord away from heat, oil, sharp edges or moving parts. Damaged or tangled cables increase the risk of electric shock.
- If you use a power tool outdoors, only use extension cords that are suitable for outdoor use. Using an outdoor power tool suitable extension cable reduces the risk of electric shock.

Personal safety

- Be alert, pay attention to what you are doing, and use common sense when working with a power tool. Do not use a power tool if you are tired or under the influence of drugs, alcohol or medication. A moment of carelessness while using a power tool can cause serious injury.
- Wear personal protective equipment and always wear safety glasses. Wearing personal protective equipment such as a dust mask, non-slip safety shoes, hard hat or ear protection, even after type and use of the power tool, reduces the risk of injury.
- Avoid unintentional start-up. Make sure that the power tool is switched off before connecting it to the power supply and/or battery, picking it up or carrying it. If you lift your finger while carrying the power tool on the switch or connect the device to the power supply when switched on, this can lead to accidents.
- Remove adjustment tools or wrenches before turning on the power tool. A tool or wrench that is in a rotating part of the unit may cause injury.
- Avoid abnormal posture. Maintain a safe standing position and balance at all times. This will help you control the power tool in unexpected situations.
- Wear suitable clothing. Do not wear loose clothing or jewellery. Keep hair, clothing and gloves away from moving parts. Loose clothing, jewellery or long hair can be caught by moving parts.

Use and handling of the power tool

- Do not overload the device. Be sure to use the designated power tool for your work. With the right power tool, you will work better and safer in the specified power range.
- Do not use a power tool whose switch is defective. A power tool that cannot be switched on or off is dangerous and must be repaired.
- Unplug the power cord and/or remove the battery before making adjustments to the device, changing accessories or putting the device away. This precaution prevents the power tool from starting accidentally.

- Keep unused power tools out of the reach of children. Do not have the device to be used by persons who are not familiar with it or have not read these instructions. Power tools are dangerous if they are used by inexperienced persons.
- Take proper care of power tools. Check that moving parts are working properly and are not jammed, that parts are not broken or damaged in such a way that the function of the of a power tool is impaired. Have damaged parts repaired before using the device. Many accidents are caused by poorly maintained power tools.
- Keep cutting tools sharp and clean. Properly maintained cutting tools with sharp cutting edges jam less and are lighter to handle.
- Be sure to use power tools, accessories, insertion tools, etc. according to these instructions. Take into account the working conditions and the task to be performed. The use of power tools for applications other than those intended can lead to dangerous situations.

Use and handling of the cordless tool

- Charge the batteries only with chargers recommended by the manufacturer. Using a charger that is suitable for a particular type of battery creates a fire hazard when used with other batteries.
- Only use the rechargeable batteries in power tools that are designed for this purpose. Use of other batteries may manage injury and a fire hazard.
- Keep the unused battery away from paper clips, coins, keys, nails, screws, or other small metal objects that could cause the contacts to bridge. A short circuit between the battery contacts may cause burns or fire.
- Liquid may leak from the battery if used incorrectly. Avoid contact with it. In case of accidental contact, rinse with water. If the liquid gets into your eyes, seek additional medical attention. Leaking battery fluid can cause skin irritation or burns.

Safety information for hedge trimmers

General safety information

- For your own safety and the safety of others, read this manual and its safety information before using the device. Please retain the operating instructions and keep their safety information safe for later use and refer to it accordingly.
- Pass on the operating instructions with the device in the event of a change of ownership.
- Persons operating the device must not be under the influence of intoxicating substances (e.g. alcohol, drugs or medicines).

- Operate the device only in the condition specified and supplied by the manufacturer. technical condition. Unauthorized modifications to the device rule out any liability of the manufacturer for any resulting damage.
- Only use the device in daylight or under good artificial lighting.
- Only use the device in dry weather conditions. Keep it away from rain or moisture. Water entering the device increases the risk of electric shock.
- Turn off the device and remove the battery in the following conditions:
 - if the device is left unattended;
 - before checking, cleaning or other work on the device;
 - if the device starts to vibrate excessively.

Before use

- Familiarize yourself with the hedge trimmer and its functions and controls before starting work.
- Check the device for signs of wear or damage before starting work and after a collision.
- Do not use device with a defective switch that cannot be switched on or off.
- Check that all nuts, bolts and screws are tight to ensure that the device is operated safely.
- Never be used device with damaged or missing parts. Have them repaired or replaced if necessary by a qualified technician or service centre.
- When working with or on the device, always wear sturdy shoes, long trousers and the appropriate personal protective device (safety glasses, hearing protection, non-slip work gloves, etc.). Wearing personal protective device reduces the risk of injury.
- Do not wear jewellery or loose clothing that could be caught by the hedge trimmer. Keep long hair away from the cutting mechanism.
- Remove adjustment tools or wrenches before turning on the hedge trimmer. A tool or wrench that is in a moving part of the machine can cause injury.

During use

- Do not operate the device if persons (in particular children) or animals are in the immediate vicinity.
- Interrupt work if you notice that persons (in particular children) or pets are nearby.
- Always keep hands and feet away from the moving blades, especially when turning on the hedge trimmer.
- Avoid abnormal posture. Ensure a safe stance and maintain balance at all times. This will help you to control the hedge trimmer in unexpected situations and on particularly steep slopes.

- Do not use the hedge trimmer in explosive environments containing flammable liquids, gases or dust. The hedge trimmer may produce sparks that can ignite the dust or vapours.
- Exercise special care when walking backwards. There is a danger of tripping!
- Move at a walking pace only.
- Never have the device left unattended during breaks in work and keep it in a safe place.
- Keep all body parts away from the cutting blade. Do not try to remove material to be cut or hold on to material to be cut while the blade is running. Remove trapped material only when the device is switched off. A moment of carelessness while using the hedge trimmer can cause serious injury.
- Carry the hedge trimmer by the handle with the blade stationary. When transporting or storing the hedge trimmer, always remove the battery and replace the protective cover. Proper handling of the device reduces the risk of injury from the blade.
- Hold the power tool only by the insulated handle surfaces, as the cutting blade may come into contact with hidden power lines. The contact of the cutting blade with a live cable can put metal parts of the device under voltage and cause an electric shock.
- During the cutting process, make sure that no persons (in particular children) or animals are in the working area.
- Make sure that the working area is clear of stones and wires before operating the hedge trimmer. Also take care during the cutting process and make sure that no stones or wires are in the working area. Search the hedge for hidden objects, such as wire fences.
- Only use the device in dry weather conditions. Keep it away from rain or moisture.
- Make sure that the cutting blade does not come into contact with the ground or other objects.
- Wait until the power tool has stopped before putting it down.
- Never have the device left unattended during work stoppages and store it in a safe place.
- Always switch off the hedge trimmer when transporting it to other work locations.
- Never touch the hedge trimmer by the cutting blade.
- Make sure that all guards and handles are in place when using the device. Never attempt to operate incompletely assembled device or device with unauthorized modifications.
- Operate the device only in the technical condition specified and delivered by the manufacturer. Unauthorized modifications to the device preclude any liability of the manufacturer for any damage resulting from such modifications.

- Spare parts must meet the requirements specified by the manufacturer. Therefore, only original spare parts or spare parts approved by the manufacturer should be used. Please observe the installation instructions supplied with the unit when replacing it and remove the battery beforehand.
- Only have repairs performed by a qualified specialist or a specialist workshop.

After use

- Turn off the device, remove the battery and then place the device in a safe place.
- Do not store the device within the reach of children.
- Make sure that the ventilation slots of the device are free from dirt.
- Replacement parts must meet the requirements specified by the manufacturer. Therefore, only original spare parts or spare parts approved by the manufacturer should be used. Please observe the installation instructions provided when replacing the unit and remove the battery beforehand.
- Only have repairs performed by a qualified specialist or a specialist workshop.

Safety information for the charger

- Keep the charger away from rain or moisture. Water entering a charger increases the risk of electric shock.
- Keep the charger clean. Soiling increases the risk of electric shock.
- Check the charger, cable and plug before each use. Do not use the charger if you notice any damage. Do not open the charger yourself and have it repaired only by qualified personnel and only with original spare parts.
Damaged chargers, cables and plugs increase the risk of electric shock.
- Do not place any objects on the charger or place it on soft surfaces. This creates a fire hazard.
- Always check that the mains voltage corresponds to the voltage indicated on the charger's rating plate.
- Never use the charger if the cable, plug or the device itself is damaged by external influences. Take the charger to the nearest specialist workshop.
- Never open the charger. In the event of a fault, take it to a specialist workshop.

Safety information for Li-Ion batteries

- Do not open the battery. There is a risk of short circuit.
- Protect the battery from heat, including continuous exposure to sunlight, fire, water and moisture. There is a risk of explosion.
- Vapours may escape if the battery is damaged or used improperly. Cause fresh air and consult a doctor if you have any complaints. The vapours can irritate the respiratory tract.
- Liquid may leak from the battery if used incorrectly. Avoid contact with it. In case of accidental contact, rinse with water. If the liquid gets into your eyes, seek additional medical attention. Leaking battery fluid may cause skin irritation. or cause burns.
- Only use original rechargeable batteries with the capacity indicated on the rating plate of your power tool. specified voltage. If other batteries are used, e.g. imitation, reconditioned batteries or batteries from other manufacturers, there is a risk of injury and material damage due to exploding batteries.
- The battery voltage must match the battery charging voltage of the charger. Otherwise there is a risk of fire and explosion.
- Charge the batteries only with chargers recommended by the manufacturer. Using a charger that is suitable for a particular type of battery creates a fire hazard if it is used with other batteries.
- Sharp objects such as nails or screwdrivers or external force may damage the battery. An internal short circuit may occur and the battery may burn, smoke, explode or overheat.

Presentation

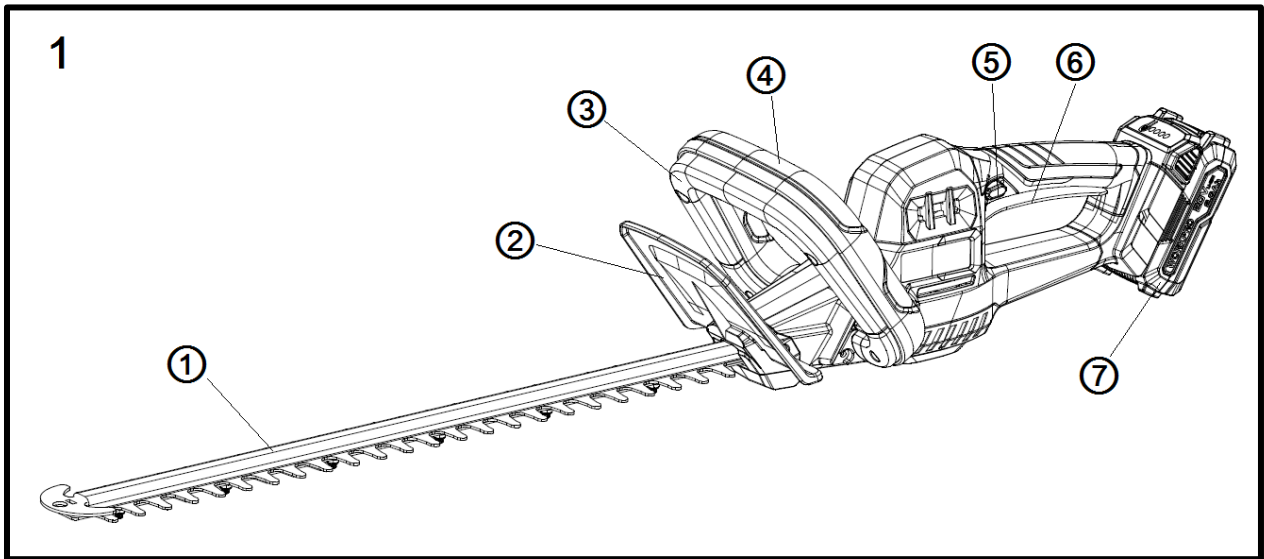


Figure 1: Hedge trimmer

1. Cutting tool
2. Protective shield
3. Safety lever on the front handle
4. Front handle
5. Safety button on the rear handle
6. On/off switch
7. Battery (already included in the set)

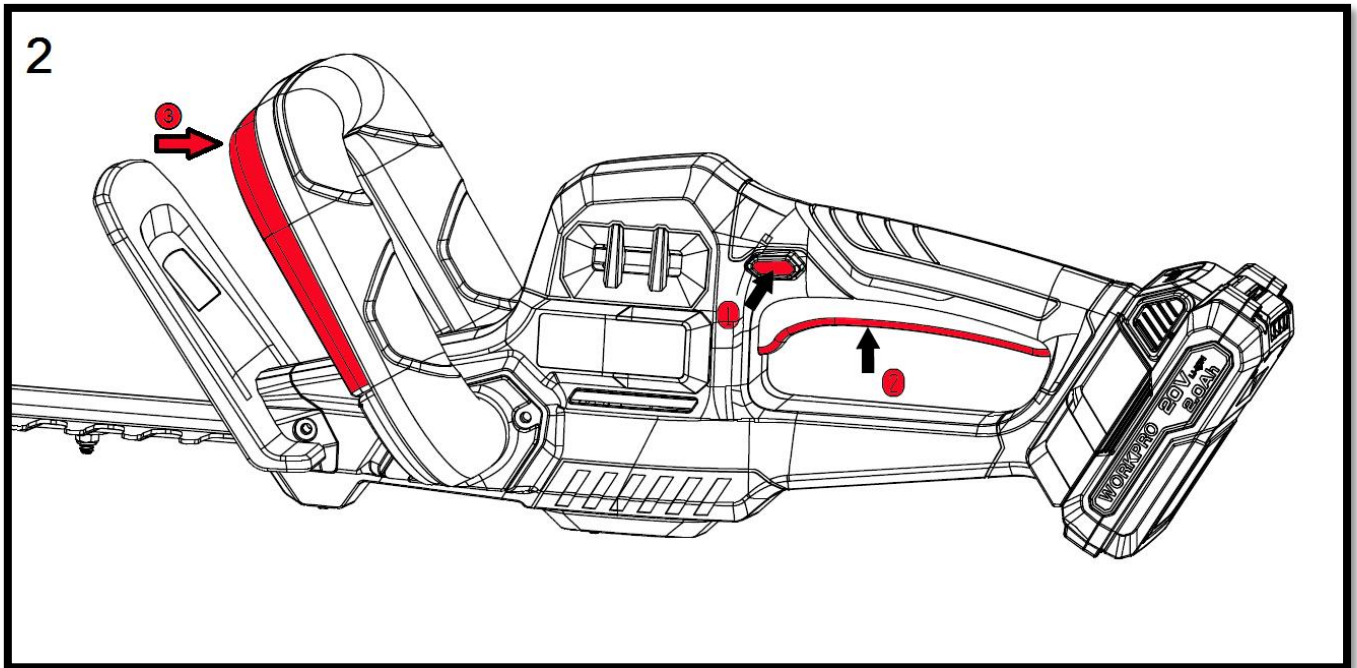


Figure 2: For start-up

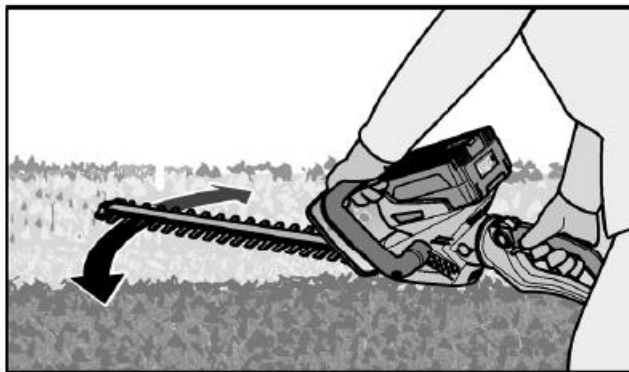
1. Safety button on the rear handle
2. On/off switch on the rear handle
3. Safety lever on the front handle

Switching the device on/off

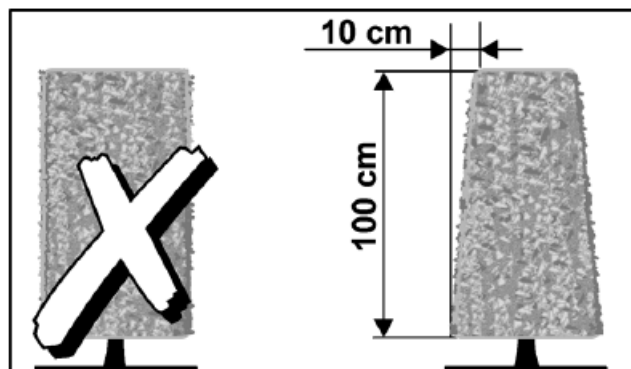
Insert the battery into the slot provided. Then push the safety button (Figure 2, item 1) in at the side, only then you can operate the on/off switch (Figure 2, item 2). Then press and hold the safety lever on the front handle (Figure 2, item 3). The device will now start up. If you release the on/off switch or the safety lever on the front handle, the device stops working. Warning: The cutting tool may still run slightly afterwards.

Operating notes

- Hold the device with both hands by the handles provided.
- The hedge trimmer can be made to move forwards and backwards with its double-sided cutting blades or with an oscillating movement from one side to the other.



- First cut the sides of the hedge and then the top of the hedge.
- Cut the hedge from bottom to top.
- Hold the hedge trimmer at an angle of 5-10° to the hedge to make a straight cut.
- Cut the hedge into a trapezoidal shape. This prevents the lower part of the hedge from being discoloured by lack of light.



- Cut the upper edges of the hedge somewhat round.

- Cut in several stages if heavy cutting is required.
- If necessary, tension a guide line if you want to trim the hedge evenly.
- Trim the young hedge plants to the desired shape. The main shoot should not be damaged until the hedge has reached the desired height. All other shoots can be cut in half.
- Dispose of the clippings in a professional and environmentally friendly manner.
- Pruning times:
 - Deciduous hedges: June + October
 - Needle-hedging: April and August
 - fast-growing hedges (e.g. conifers): from May onwards approx. every 6 weeks
- Warning: Watch out for breeding birds in the hedge. Do not cut or trim until after breeding, or leave out this area of the hedge.

Maintenance and care

Warning: before carrying out any work on the power tool, remove the battery from the device.

Sharp cutting blades → Wear protective gloves!

Do not use water or liquid cleaning agents.

- Clean the hedge trimmer with a dry cloth after each use or with a brush if it is very dirty.
- Never spray the hedge trimmer with water.
- Keep the battery and device contacts clean and dust-free.
- Clean the cutting blade after each use. Remove impurities, leaf debris, etc.
- Spray the cutting blade with maintenance oil after use to ensure a long life for the hedge trimmer. If possible, use environmentally friendly lubricants, e.g. maintenance sprays.
- Place the hedge trimmer on its side for oiling and apply a thin film of oil to the cutting blade.

Disposal



WARNING!

Make used power tools unusable before disposal:

- mains-operated power tools by removing the connecting plug,
- battery operated power tools by removing the battery.



For EU countries only

Do not dispose of power tools in the household waste! According to the European Directive 2012/19/EC on waste electrical and electronic device and its implementation in national law, used electrical device must be collected separately and recycled in an environmentally friendly manner.

Raw material recovery instead of waste disposal. Device, accessories and packaging should be



recycled in an environmentally friendly manner. Plastic parts are marked for recycling according to type.



WARNING!

Do not dispose of batteries in household waste, fire or water. Do not open spent batteries. Batteries should be collected, recycled or disposed of in an environmentally friendly manner.

For EU countries only: According to Directive 2006/66/EC, defective or used batteries must be recycled.



NOTE

Please contact your local authority/city for information on disposal options,



Recycling raw materials instead of waste disposal.

Technical data

Cordless hedge trimmer

Cutting length	520mm
Cutting speed	1250 min ⁻¹
Max. branch thickness	15mm
Guaranteed sound power level	91 (LwA) db
Measured sound power level	84 (LpA) db
Vibration	0.9 m/s ² (K = 1.5 m/s ²)
Weight (without battery)	3.2 kg

Declaration of Conformity

Manufacturer / Producer FUXTEC GmbH

Kappstraße 69, 71083 Herrenberg Deutschland / Germany

Tel.: +49 (0)7032 95608 88

Fax: +49 (0)7032 95608 89

Email: info@fuxtec.de Web: www.fuxtec.de

Designation / name Akku-Heckenschere /E1 20V Cordless Hedge Trimmer

Type / model D05002600

EG-Richtlinie / EC directive MD Directive: 2006 / 42 /EC

Angewandte Normen / applicable standards

EN 60745-2-15:2009+A11:2010

EN 60745-1:2009+A11:2010

We hereby declare that the above-mentioned machine in the version placed on the market by us complies with the basic safety and health requirements of the listed EC directive due to its design.

Hereby we declare that the above-mentioned machine meets the essential safety and health requirements of the above stated EC directives. Any manipulation or change of the machine not being explicitly authorized by us in advance renders this document null and void.

Retention of technical documentation: FUXTEC GmbH • Kappstraße 69 • 71083 Herrenberg • Germany, T. Gumprecht, Board of Management

Herrenberg, 07.01.2019



Tim Gumprecht FUXTEC GmbH

KAPPSTRASSE 69

71083 HERRENBERG GERMANY

