



Original User Manual

20V

**cordless hammer drill /
cordless screwdriver
FX-E1SBS20 / FX-E1BS20**



WARNING: Before starting work, please read the operating manual carefully, as it contains all the important information and safety instructions that must be followed in order to use this equipment properly.

FUXTEC GmbH
KAPPSTR.69 , 71083 HERRENBERG - GÜLTSTEIN , GERMANY

Contents

Introduction and safety.....	3
Intended use.....	3
General safety information for power tools	3
Workplace safety.....	3
Electrical safety	4
Personal safety	4
Use and handling of the power tool.....	5
Use and handling of the battery tool	5
Safety information for cordless drills	6
General safety information	6
Before use.....	6
During use.....	7
After use	7
Safety information for the charger	7
Safety information for Li-Ion batteries.....	8
Presentation	9
Operation	14
Speed selection	14
Setting the rotation direction.....	14
Start, stop and speed control	14
Disposal	15
Technical data	16
Declaration of Conformity.....	17

Introduction and safety

Never allow children or persons not familiar with these instructions to use the tool device. Children should be supervised to ensure that they do not play with the device.

Intended use

This device is exclusively for screwing and unscrewing screws and for drilling in wood, metal and plastic.

The device must be operated in accordance with the instructions in this manual. to be used in accordance with the descriptions and safety information provided. Any other use is not intended. Any other use is not in accordance with the intended purpose and will invalidate the warranty and result in the rejection of any responsibility on the part of the manufacturer. The user is liable for all damage to third parties and their property. Operate the device only in the technical condition specified and delivered by the manufacturer. Unauthorized modifications to the device will exclude the manufacturer's liability for any resulting damage.

General safety information for power tools

WARNING!

Read all safety information and instructions. Failure to follow the safety information and instructions may result in electric shock, fire and/or serious injury.

Keep all safety information and instructions for future reference.

The term power tool used in the safety information refers to power tools that operate on mains power (with power cord) and battery-powered power tools (without power cord).

Workplace safety

- Keep your work area clean and well lit. Clutter or unlit work areas can lead to accidents.
- Do not work with the power tool in a potentially explosive environment containing flammable liquids, gases or dust. Power tools generate sparks that can ignite the dust or vapours.
- Keep children and other people away while using the power tool. If distracted, you may lose control of the device.

Electrical safety

- The plug of the power tool must fit into the socket. The plug must not be altered in any way. Do not use adapter plugs together with grounded power tools. Unmodified plugs and suitable sockets reduce the risk of electric shock.
- Avoid physical contact with earthed surfaces such as pipes, heaters, stoves and refrigerators. There is an increased risk of electric shock if your body is earthed.
- Keep power tools away from rain or wet conditions. Water entering a power tool increases the risk of electric shock.
- Do not use the cord to carry or hang the power tool or to unplug the power tool from the wall outlet. Keep the cord away from heat, oil, sharp edges or moving parts. Damaged or tangled cables increase the risk of electric shock.
- If you use a power tool outdoors, only use extension cords that are suitable for outdoor use. Using an extension cord suitable for outdoor use reduces the risk of electric shock.

Personal safety

- Be alert, pay attention to what you are doing, and use common sense when working with a power tool. Do not use a power tool if you are tired or under the influence of drugs, alcohol or medication. A moment of carelessness while using a power tool can cause serious injury.
- Wear personal protective equipment and always wear safety glasses. Wearing personal protective equipment, such as a dust mask, non-slip safety shoes, hard hat or hearing protection, depending on the type and operation of the power tool, will reduce the risk of injury.
- Avoid unintentional start-up. Make sure the power tool is turned off before connecting it to the power supply and/or battery, picking it up or carrying it. If you put your finger on the power tool switch when carrying it or connect the device to the power supply when switched on, this can lead to accidents.
- Remove adjustment tools or wrenches before turning on the power tool. A tool or wrench that is in a rotating part of the unit may cause injuries.
- Avoid abnormal posture. Ensure that you stand firmly and keep your balance at all times. This will help you to control the power tool in unexpected situations.
- Wear suitable clothing. Do not wear baggy clothes or jewellery. Keep hair, clothing and gloves away from moving parts. Loose clothing, jewellery or long hair can be caught by moving parts.

Use and handling of the power tool

- Do not overload the device. Be sure to use the designated power tool for your work. With the right power tool you will work better and safer in the specified power range.
- Do not use a power tool whose switch is defective. A power tool that cannot be switched on or off is dangerous and must be repaired.
- Unplug the power cord and/or remove the battery before making adjustments to the device, changing accessories or putting the device away. This precaution prevents the power tool from starting accidentally.
- Keep unused power tools out of the reach of children. Do not have the device used by persons who are not familiar with it or who do not follow these instructions or have not read it. Power tools are dangerous if they are used by inexperienced persons.
- Maintain power tools with proper care. Check that moving parts function properly and do not jam, that parts are not broken or damaged in such a way that the function of the of a power tool is impaired. Have damaged parts repaired before operation of the device. Many accidents are caused by poorly maintained power tools.
- Keep cutting tools sharp and clean. Properly maintained cutting tools with sharp cutting edges jam less and are easier to guide.
- Be sure to use power tools, accessories, insert tools, etc. according to these instructions. Take into account the working conditions and the task to be performed. The use of power tools for applications other than those intended can lead to dangerous situations.

Use and handling of the battery tool

- Charge the batteries only with chargers recommended by the manufacturer. Using a charger that is suitable for a specific type of battery creates a fire hazard when used with other batteries.
- Only use the rechargeable batteries in power tools that are designed for this purpose. Use of other batteries may cause injury and a fire hazard.
- Keep the unused battery away from paper clips, coins, keys, nails, screws, or other small metal objects that could cause the contacts to bridge. A short circuit between the battery contacts may cause burns or fire.
- Liquid may leak from the battery if used incorrectly. Avoid contact with it. In case of accidental contact, rinse with water. If the liquid gets into your eyes, seek additional medical attention. Leaking battery fluid may cause skin irritation or burns.

Safety information for cordless drills

General safety information

- For your own and others' safety, please read this manual and its safety information before using the device. Please retain the operating instructions and keep their safety information safe for later use and have it at hand for every operation.
- Pass on the operating instructions with the device in the event of a change of ownership.
- Persons operating the device must not be under the influence of intoxicating substances (e.g. alcohol, drugs or medicines).
- Operate the device only in the technical condition specified and delivered by the manufacturer. Unauthorised modifications to the device preclude the manufacturer's liability for any resulting damage.
- Only use the device in daylight or under good artificial lighting.
- Only use the device in dry weather conditions. Keep it away from rain or moisture. Water entering the device increases the risk of electric shock.
- Turn off the device and remove the battery in the following conditions:
 - if the device is left unattended;
 - before checking, cleaning or other work on the device;
 - if the device starts to vibrate excessively.

Before use

- Familiarise yourself with the device and its functions and controls before starting work.
- Check the device for signs of wear or damage before starting work and after a collision.
- Do not use any device whose switch is defective and cannot be switched on or off.
- Check that all nuts, bolts and screws are tight to ensure that the device is operated safely.
- Never use device with damaged or missing parts. Have them repaired or replaced if necessary by a qualified technician or service centre.
- Always wear appropriate personal protective device (safety glasses, hearing protection, non-slip work gloves, etc.) when working with or on the device. Wearing personal protective device reduces the risk of injury.

During use

Do not switch on the device when persons (especially children) or animals are in the immediate vicinity. Make sure that children do not play with the device.

Make sure that you have a firm stance and work calmly and carefully. Depending on the material (wood, metal, brick, plaster, etc.) to be worked on, use the screws and attachments provided.

Incorrect selection can lead to slipping and injury. Wear hearing protection when hammer drilling.

Exposure to noise can lead to hearing loss. Hold the power tool by the insulated grip surfaces.

When performing your work, you may come into contact with concealed wires and may be exposed to electric shock if you do not hold the drill properly.

After use

Switch off the device and remove the battery from the screwdriver. Then place the unit in a safe place.

Do not store the device within the reach of children. Make sure that the ventilation slots in the device are clean.

Please do not clean any dirt with water. This may damage the electrical device.

Safety information for the charger

- Keep the charger away from rain or moisture. Water entering a charger increases the risk of electric shock.

- Keep the charger clean. Soiling increases the risk of electric shock.

- Check the charger, cable and plug before each use. Do not use the charger if you notice any damage. Do not open the charger yourself and have it repaired only by qualified personnel and only with original spare parts.

Damaged chargers, cables and plugs increase the risk of electric shock.

- Do not place any objects on the charger or place it on soft surfaces. This creates a fire hazard.

- Always check that the mains voltage corresponds to the voltage indicated on the charger's rating plate.

- Never use the charger if the cable, plug or the device itself is damaged by external influences. Take the charger to the nearest specialist workshop.

- Never open the charger. In the event of a fault, take it to a specialist workshop.

Safety information for Li-Ion batteries

- Do not open the battery. There is a risk of short circuit.
- Protect the battery from heat, including continuous exposure to sunlight, fire, water and moisture. There is a risk of explosion.
- Vapours may escape if the battery is damaged or used improperly. Supply fresh air and consult a doctor if you have any complaints. The vapours can irritate the respiratory tract.
- Liquid may leak from the battery if used incorrectly. Avoid contact with it. In case of accidental contact, rinse with water. If the liquid gets into your eyes, seek additional medical attention. Leaking battery fluid may cause skin irritation or burns.
- Only use original rechargeable batteries with the voltage specified on the rating plate of your power tool. If other batteries are used, e.g. imitation, reconditioned batteries or batteries from other manufacturers, there is a risk of injury and material damage due to exploding batteries.
- The battery voltage must match the battery charging voltage of the charger. Otherwise there is a risk of fire and explosion.
- Charge the batteries only with chargers recommended by the manufacturer. Using a charger that is suitable for a particular type of battery creates a fire hazard if it is used with other batteries.
- Sharp objects such as nails or screwdrivers or external force may damage the battery. An internal short circuit may occur and the battery may burn, smoke, explode or overheat.

Presentation

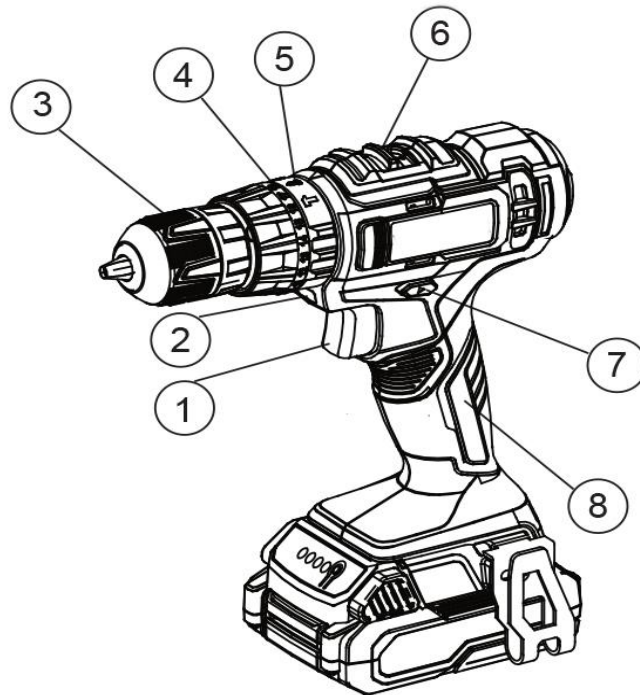


Figure 1: Cordless drill

1. On/off switch
2. Work light
3. Drill chuck
4. Torque selection sleeve
5. Application selection sleeve (FX-E1SBS20)
6. Speed selector
7. Control switch for clockwise, counter clockwise rotation and lock
8. Handle

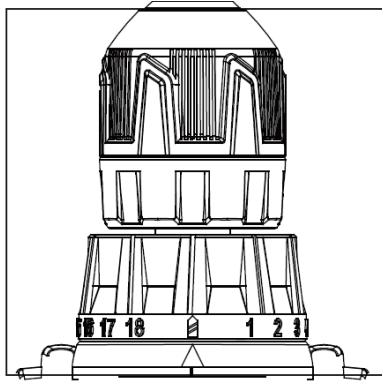


Figure 2: Selection of drilling mode (cordless drill)

To use the drill mode, turn the application selector collar around until the drill symbol appears opposite the arrow.

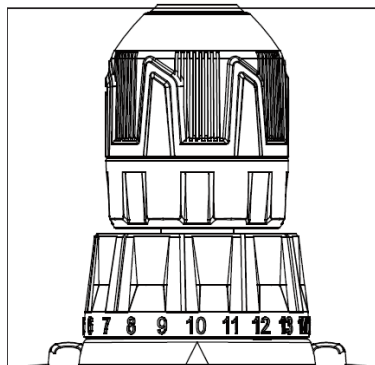


Figure 3: Adjusting the slip clutch (cordless screwdriver)

To use the screwing function, turn the application selector collar around until the desired clutch setting appears opposite the arrow.

The adjustable clutch, if correctly adjusted, will engage slipping at a preset torque. This is to prevent screws from being driven in too deeply and to protect material and tools.

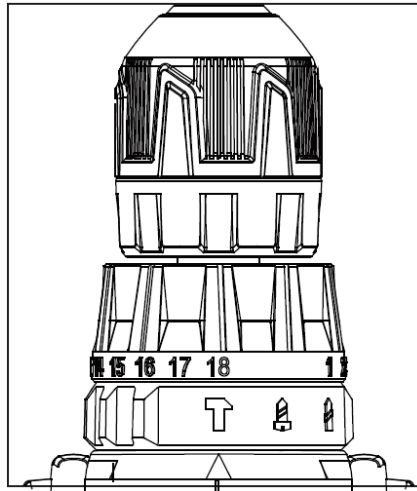


Figure 4: Selection of hammer drill function (battery-powered impact drill)

To be used in hammer mode, turn the application selector collar around until the hammer symbol appears opposite the arrow. Adjusting the slip clutch has no effect on the operation of the drill in hammer mode. NOTE: When using carbide drills, do not use water to bind dust. Do not attempt to drill through hardened steel. This will damage the carbide drill bits.

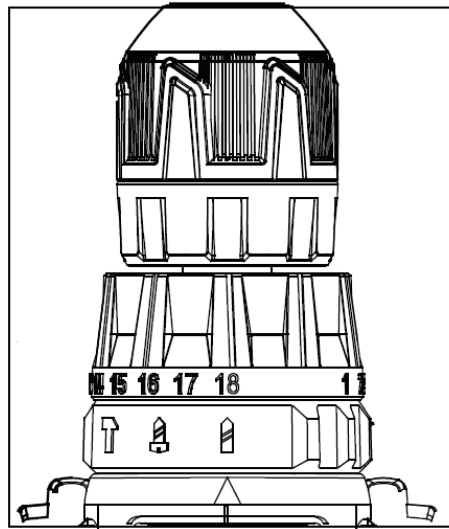


Figure 5: Selection of drilling function (battery-powered hammer drill)

To use the drilling mode, turn the application selector collar around until the drilling symbol appears opposite the arrow. The setting of the slip clutch has no effect on the operation of the drill during use.

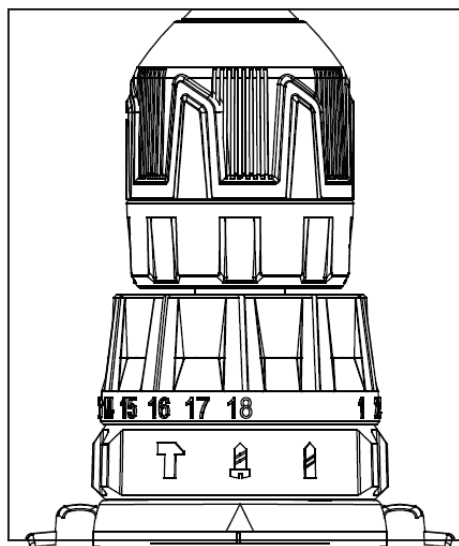


Figure 6: Selecting the screwdriving function (battery-powered impact drill)

To use the screwing mode, turn the application selector collar around until the screw symbol appears opposite the arrow. Then turn the slipping clutch selector wheel above it to the desired position. The adjustable clutch, when properly engaged, will engage in a preset torque. This serves to avoid screws being driven in too deeply and to protect material and tools.

In the following tables you can find the approximate values for various slip clutch settings (with fully charged battery).

Cordless screwdriver

Clutch adjustment	In kg. (ca)	Intended use
1-3	11- 12.5	small screws into soft wood
4-6	13 – 15.5	Medium screws into soft wood or small screws into hard wood.
7-9	16 – 18	Medium screws into soft wood or small screws into hard wood.
10-13	18.2 - 20	Large screws into soft wood. Medium screws into hard wood or large screws into hard wood with a predrilled hole.
14-16	21 - 23	Large screws into soft wood. Medium screws into hard wood or large screws into hard wood with pre-drilling.

Cordless Hammer Drill

Clutch adjustment	In kg. (ca)	Intended use
1-3	11- 12.5	small screws into soft wood
4-6	13 – 15.5	Medium screws into soft wood or small screws into hard wood.
7-9	16 – 18	Medium screws into soft wood or small screws into hard wood.
10-13	18.2 - 20	Large screws into soft wood. Medium screws into hard wood or large screws into hard wood with a predrilled hole.
14-17	21 – 23.5	Large screws into soft wood. Medium screws into hard wood or large screws into hard wood with pre-drilling.
18	24	Large screws into soft wood. Medium screws into hard wood or large screws into hard wood when predrilled.

Operation

Speed selection

The speed selector is located on the top of the motor housing. Allow the tool to come to a complete stop before changing speeds.

To correct the speeds under different conditions:

1. for low speed, push the speed selector in the direction of the number 1.
2. for high speed, press the speed selector in the direction of the number 2.

Setting the rotation direction

The control switch (Figure 1, item 7) can be set to three positions:

Forward, reverse and lock.

To rotate forward (clockwise), push the control switch in from the right. Check the direction of the drill before use. For reverse rotation (counter clockwise), press the control switch from the left side of the tool. Check the running direction of the drill before use.

To lock the on/off switch, press the control switch to the middle position. The on/off switch will not work while the control switch is in the centre position. Use the lock before performing maintenance, changing accessories, or storing the device.

Start, stop and speed control

To start the tool, firmly grasp the handle and press the on/off switch (Figure 1, item 1)

NOTE: The work light is switched on when the on/off switch is pressed.

To vary the speed, increase or decrease the pressure. The further the switch is pressed in, the greater the speed.

To stop the tool, release the switch. Make sure that the device has come to a complete stop before putting down the tool.

Disposal



WARNING!

Make used power tools unusable before disposal:

- mains-operated power tools by removing the connecting plug,
- battery operated power tools by removing the battery.



For EU countries only

Do not dispose of power tools in household waste! According to the European Directive 2012/19/EC on waste electrical and electronic device and its implementation in national law, used electrical device must be collected separately and recycled in an environmentally friendly manner. Raw material recovery instead of waste disposal. Device, accessories and packaging should be recycled in an environmentally friendly manner. Plastic parts are marked for recycling according to type.



WARNING!

Do not dispose of batteries in household waste, fire or water. Do not open spent batteries. Batteries should be collected, recycled or disposed of in an environmentally friendly manner.

For EU countries only: According to Directive 2006/66/EC, defective or used batteries must be recycled.



NOTE

Please contact your local authority/city for information on disposal options,



Recycling raw materials instead of waste disposal.

Technical data

Battery device

Nominal voltage	20 V
Speed 1	360 (U/min)
Speed 2	1300 (U/min)
Number of strokes (FX-E1SBS20)	21000 (b/min)
Weight (without battery)	14 kg

Battery charger

Nominal voltage	230 V~, 50 Hz
Nominal power	25W
Charging voltage	20,9 V
Charging current	0,9A
Protection class	II

Battery Pack

Battery type	Li-Ion
Nominal voltage	20 V
Capacity	2Ah

Declaration of Conformity

Manufacturer/ Producer

FUXTEC GmbH

Kappstraße 69, 71083 Herrenberg Deutschland /
Germany

Tel.: +49 (0)7032 95608 88

Fax: +49 (0)7032 95608 89

Email: info@fuxtec.de Web:

www.fuxtec.de

Designation / name Cordless screwdriver, cordless hammer drill

/ E1 20V Cordless Drill

Type / model

J0Z-WYT01A-18Li,

J0Z-WYT01B-18Li

J0Z-WYT01C-18L

EG-Richtlinie / EC directive 2006/42/EC, 2014/30/EU

Angewandte Normen / applicable standards

EN 62841-1:2015

EN 62841-2-1:2018

EN 55014-1:2006+A1+A2

EN 55014-2:2015

We hereby declare that, due to its design, the above-mentioned machine in the version placed on the market by us complies with the basic safety and health requirements of the listed EC directive.

Hereby we declare that the above-mentioned machine meets the essential safety and health requirements of the above stated EC directives. Any manipulation or change of the machine not being explicitly authorized by us in advance renders this document null and void.

Storage of technical documentation: FUXTEC GmbH • Kappstraße 69 • 71083 Herrenberg • Germany, T. Gumprecht, Geschäftsführung

Herrenberg, 17.01.2020



Tim Gumprecht FUXTEC GmbH

KAPPSTRASSE 69

71083 HERRENBERG GERMAN

