

# FUXTEC

**Original User Manual**

## **Petrol Leaf Vacuum Cleaner / Blower**

### **FX-LBS126 / FX-LB126**



**WARNING:** Before starting work, please read the operating manual carefully, as it contains all the important information and safety instructions that must be followed in order to use this equipment properly.

FUXTEC GmbH  
KAPPSTR.69 , 71083 HERRENBERG - GÜLTSTEIN , GERMANY



# FUXTEC

## ORIGINAL USER MANUAL

Petrol leaf vacuum cleaner/blower

**FUXTEC FX-LB126, FX-LBS126**



Your new device has been developed and designed to meet FUXTEC's high standards, such as easy operation and user safety. Properly treated, this device will serve you well for years to come.



**WARNING:** To reduce the risk of injury, the user must read and understand this manual before operating the device.

**FUXTEC GmbH**

Kappstrasse 69, 71083 Herrenberg - Germany

## Table of contents

1. Introduction.....	4
2. Scope of delivery.....	4
3. Operating hours.....	4
4. Safety symbols on the device and in the operating manual .....	5
5. Intended/non-intended use .....	5
6. Residual risks and safe working .....	6
7. Fuel management .....	10
8. Overview of the device .....	11
9. Assembly as leaf blower .....	12
10. Assembly as leaf vacuum .....	12
11. Commissioning - refuelling, 2-stroke engine oil .....	13
12. Start/stop the leaf blower .....	15
13. Working notes .....	16
14. Maintenance and care.....	16
15. Technical data .....	19
16. Troubleshooting.....	20
17. Customer Service.....	22
18. Warranty .....	22
19. Disposal information.....	22
20. EC Declaration of Conformity.....	23

## 1. Introduction

We would like to thank you for purchasing a leaf vacuum cleaner/blower from our company. This user manual will explain how to use the vacuum in the best possible way. Before using it, please read this manual carefully, operate the device correctly and work safely. Furthermore, it is possible that not all details of your device comply with the operating manual due to further development of the device. Therefore, we ask for your understanding.

## 2. Scope of delivery

- Leaf blower FX-LB126
- 1x blowpipe middle piece
- 1x blowpipe for paved ground straight version
- 1x blowpipe for lawn curved version
- 2-piece suction pipe (for model FX-LBS126)
- Leaf collection bag and curved connection pipe (for model FX-LBS126)
- Tool bag
- Operating instructions

After unpacking, check the contents of the carton for

- Completeness
- Possible transport damage

Please inform FUXTEC immediately of any complaints. Later complaints cannot be accepted.

## 3. Operating hours


According to the Device Noise Protection Ordinance of September 2002, leaf blowers may not be used in pure, general and special residential areas, small housing estates, special areas used for recreation, spa and clinic areas and areas for tourist accommodation, as well as on the premises of hospitals and nursing homes on Sundays and public holidays and on working days from 8 p.m. to 7 a.m. Please also observe the regional regulations on noise protection.

## 4. Safety symbols on the device and in the user manual


You may find symbolic references on the type plate of your vacuum.

They provide important information about the product or instructions for its use.

						
Achtung	Gehör- und Sichtschutz sowie Kopfschutz	Bedienungsanleitung lesen	Schutzkleidung tragen	Handschuhe tragen	Sicherheitsschuhe tragen	Achtung Brandgefahr durch Kraftstoff

 Dangerous situation or imminent danger. Failure to observe these instructions may result in injury or damage to property.

Important information on the correct handling of the device. Non-observance of these instructions can lead to malfunction of the device.

 User instructions. These hints will help you to make optimum use of all functions of the device. Installation, operation and maintenance of the device. Here you will find detailed instructions on how to proceed.

## 5. Intended/non-intended use

The petrol leaf blower is designed exclusively for blowing leaves. Proper use also includes reading and adhering to the operating instructions before each use. The device must be checked for mechanical damage before and during use. If repairs are necessary, contact your specialist dealer. Only spare parts approved by the manufacturer or original spare parts may be used. The device may only be put into operation in open garden area.

If non-approved or non-original spare parts are used, the operator and not the manufacturer is liable for any damage to property or persons.

Any use other than that mentioned above is an unintended use:

- Proper use also includes reading and adhering to the operating instructions.
- If non-approved or non-original spare parts are used, the operator and not the manufacturer is liable for any damage to property or persons.
- Any use other than that mentioned above is an unintended use.
- Intended use also includes compliance with the operating, maintenance and repair conditions

specified by the manufacturer and the safety instructions contained in the manual.

- The applicable relevant accident prevention regulations as well as the other generally accepted occupational health and safety rules must be observed.
- Any use beyond this is considered improper use. The manufacturer is not liable for damages of any kind resulting from this: the risk is borne solely by the user.
- Own modifications to the device preclude any liability of the manufacturer for damages of any kind resulting from such modifications.
- The device may only be set up, used and maintained by persons who are familiar with it and have been informed about the dangers. Repair work may only be carried out by the manufacturer or by service centres recommended by the manufacturer.
- The device must not be used in a potentially explosive environment or exposed to rain.

## 6. Residual risks and safe working

Even when used as intended, there may still be residual risks due to the design determined by the intended use, despite compliance with all relevant safety regulations.

Residual risks can be minimized if the "Intended Use" and the "Safety Instructions" as well as the operating instructions as a whole are observed.

- Consideration and caution reduce the risk of personal injury and damage.
- Injury due to disposal of parts.
- Risk of carbon monoxide poisoning when used in closed or poorly ventilated rooms.
- Danger of burns from hot components.
- Hearing is impaired if work is carried out over long periods without hearing protection.

Furthermore, despite all the information and precautions taken, there may be residual risks that are not obvious.

Warning: The actual vibration emission value present during use of the device may differ from that specified in the operating instructions or by the manufacturer. This can be caused by the following influencing factors, which should be observed before or during use:

- If the device is used correctly
- Is the device in good working order
- If the handles are fitted with optional vibration grips and are firmly attached to the device body

Read the following instructions and the safety regulations applicable in your country before using this product to protect yourself and others from possible injury.

Always keep these safety instructions (operating instructions) with the device. The device may only be operated by persons with sufficient experience.



Repairs to the device must be carried out by the manufacturer or companies recommended by him.

### Getting started

- **If you are working with the device for the first time, you must receive practical instruction in the use of the device and personal protection device from an experienced operator.**
- **Be alert. Work with common sense. If you are tired or under the influence of drugs, alcohol or medication you must not use the device. Failure to use the device properly may result in serious injury**
- Familiarize yourself with the device before use. Inadequately informed operators can endanger themselves or other persons through improper use.
- Make sure you are standing securely and keep your balance at all times. The use of e.g. A ladder is not permitted.
- Do not use the device for purposes for which it is not intended (see "Intended use").
- Wear suitable work clothing:
- No jewellery or loose clothing, they could be caught in the device
- Gloves and non-slip footwear
- For long hair a hair net
- Wear protective clothing:
  - Hearing protection
  - Safety goggles or face shield
  - Work gloves
  - Safety shoes
  - Tested helmet in situations where head injuries are to be expected.
- It is recommended to wear leg protection and a safety jacket.
- Keep your work area in order!
- Take environmental influences into account:
  - Do not expose the device to rain.
  - Do not use the device in a wet or humid environment.
  - Postpone work in unfavourable weather conditions (rain, snow, ice, wind) due to increased risk of accidents!
  - Ensure good lighting.
  - Do not use the device near flammable liquids or gases.
- You may not be able to hear danger because of the engine noise. Therefore, make yourself familiar with your surroundings.
- Never leave the device unattended.
- During breaks in work, the device must be laid down in such a way that nobody is endangered.

Secure the device against unauthorized access.

- Persons under 18 years of age must not operate the device.
- Keep other people and children away.
- The operator is responsible for accidents or hazards that occur to other persons or their property.
- Do not let other persons, especially children, touch the tool or the engine.
- Make sure that the device is not overloaded! You will work better and safer in the specified power range.
- Only operate the device with complete and correctly fitted protective devices. Do not change anything on the device that could impair safety.
- Switch off the device and pull the spark plug connector from the spark plug:
  - If the device touches soil, stones, nails or other foreign bodies check whether the device is damaged.
  - Repair work, as well as maintenance and cleaning work
  - Elimination of malfunctions (e.g. Clogging of the blow tube)
  - Transport and storage
  - Leaving the working area, even during short interruptions.

#### **Maintain your leaf blower with care:**

- Clean the device after each use
- Empty the tank after each use
- Keep handles dry and free from lubricants.
- Follow the maintenance instructions.

#### **Check the device for damage:**

- Before further use of the device, safety devices must be carefully checked for their trouble-free and proper function.
- Check that moving parts are working properly and are not jamming, or if parts are damaged. All parts must be correctly mounted and meet all conditions to ensure proper operation of the device.
- Damaged safety devices and parts must be properly repaired or replaced by us or a recognised specialist workshop, unless otherwise stated in the instructions for use.
- Damaged or illegible security stickers must be replaced.
- Never leave a tool key in place!
- Always check that keys and tools are removed before switching on.
- Store unused devices in a dry, locked place out of the reach of children.
- Do not repair the device yourself.



Do not carry out any repairs on the device other than those described in the chapter "Maintenance", but contact the manufacturer or authorised customer service directly.





Repairs to other parts of the device must be carried out by the manufacturer or a specialist workshop specified by him.



Only use original spare parts! The use of other spare parts or accessories may cause danger to the user. The manufacturer is not liable for any damage resulting from this.

## 7. Fuel management



Fuels and fuel vapours are flammable and can cause serious damage if inhaled or on the skin. Therefore, care must be taken when handling fuel and good ventilation must be provided.

- Before refuelling, switch off the engine and let the device cool down.
- Avoid open flame when refuelling.
- Wear gloves when refuelling.
- Do not refuel in closed rooms (danger of explosion).
- Do not spill fuel or oil. Clean the device immediately if you have spilled fuel or oil. Change your clothing if you have spilled fuel or oil on it.
- Do not let any fuel get into the ground.
- After refuelling, carefully close the fuel filler cap again and check that it does not become loose during operation.
- Make sure that the fuel filler cap and fuel lines are tight. If leaks occur, the device must not be put into operation.
- Transport and store fuels only in marked and approved containers.
- Do not transport or store fuel near flammable or highly inflammable materials or sparks or open fire. Keep children away from fuel.
- To start the device, move away sufficiently from the fuel station.

## 8. Overview of the device



1. Spark plug
2. On/off switch
3. Throttle lever
4. Air filter cover
5th choke
6. Tank with lid
7. Pull starter
8. Lower handle
9. Two-piece blowpipe
10. Two-part suction pipe
11. Bent intake pipe
12. Leaf bag
13. Air intake grille lock
14. Chopper claw
15. Air intake grille

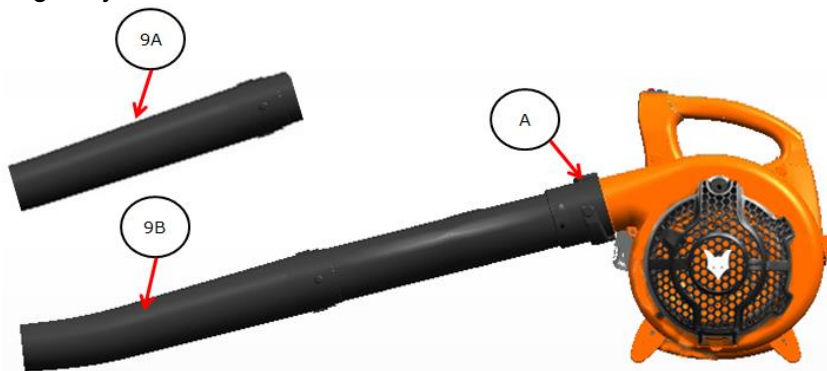


## 9. Assembly as leaf blower

**Caution:** Always switch off the engine when carrying out assembly and/or maintenance work!  
Wear protective gloves during assembly to protect yourself from cuts.

Mount the two blowpipes into each other and position them on the main device. Make sure that they are screwed on all the way and fix them with screw A. Using the blowing attachments:

- 9A for paved surfaces such as pavements, driveways, etc.
- 9B for lawns or grassy areas



## 10. Assembly as leaf vacuum

1. Insert the curved suction tube 11 through the large opening of the leaf trap bag 12A and push the tapered side of the tube through the narrow opening 12B
2. Twist the bent suction pipe 11, now connected to the leaf collection bag 12, on the main device
3. Now open the lock 13 of the air intake grille 15
4. Now fit the two suction pipes 10 into one another and position them on the main device with the air intake grille 15 open.
5. Ensure that the suction pipe device 10 is seated correctly and turn it until it stops



## 11. Commissioning - refuelling, 2-stroke engine oil



The device is not delivered filled with fuel mixture.

Fill the device as described in this chapter under "Refuelling".



The device is operated with a **40:1 mixture** of normal fuel (unleaded) and two-stroke engine oil.



**When handling petrol, increased attention is required. Avoid smoking and naked flames at all costs because of the danger of explosion.**

### Gasoline:

**Octane number at least 91 RON, lead free**

- Do not fill with leaded fuel, diesel or other non-approved fuels.
- Do not use fuel with an octane number lower than 91 RON. This can lead to engine damage due to increased engine temperatures.
- If you work continuously in the higher speed range, use fuel with a higher octane rating.
- For environmental reasons, the use of unleaded petrol is recommended. The use of E10 fuels is not permitted.

### 2-stroke engine oil



Do not use four-stroke or two-stroke oils for water-cooled outboard engines, or ready-mixed fuel from petrol stations.

### Mixing ratio 40:1

Gasoline	Two-stroke engine oil (40:1)	Gasoline	Two-stroke engine oil (40:1)
1 litre	0.025 litres	5 litres	0,125 litres
2 litres	0.050 litres	10 litres	0.250 litres

- Ensure that the oil quantity is measured exactly, as a small deviation in the oil quantity has a strong effect on the mixing ratio for small quantities.
- Do not change the mixing ratio, as this will result in increased combustion residues, increased fuel consumption and reduced performance, or damage to the engine.

Mix the fuel and oil in a clean, petrol approved and marked container with overfill protection.

1. First fill in half of the fuel to be mixed
2. Then fill in the entire quantity of oil.
3. Shake the mixture.

#### 4. Fill in the rest of the fuel.

Fuels can only be stored for a limited time as they age. Superimposed fuels and fuel mixtures can cause problems when starting. Therefore, only mix as much fuel as you use in one month.

Store fuels in dry and safe conditions in approved and marked containers.

Ensure that the fuel tanks are kept out of the reach of children.

#### **Refuelling the leaf blower**

**Switch off the engine, let the device cool down!**



**- Wear protective gloves!**

**- Avoid skin and eye contact (wear protective goggles)!**

**- It is essential to observe "Handling of fuel".**

1. Only refuel the device outdoors or in sufficiently ventilated rooms.
2. Clean the area around the filling area. Dirt in the tank causes malfunctions.
3. Shake the container with the fuel mixture again before refuelling.
4. Open the closure (10) carefully so that any excess pressure can be released.
5. Carefully fill the mixture up to the lower edge of the filler neck.
6. Close the fuel filler cap again.
7. Make sure that the fuel filler cap is tight.
8. Clean the fuel cap and the surrounding area.
9. Check for leaks in the tank and fuel lines
10. Operate the primer pump (24) if necessary.
11. Remove yourself appropriately from the fuelling station before starting the engine

## 12. Start/stop the leaf blower





The device must not be put into operation until you have read this operating manual, observed all the instructions given and the device has been completely and correctly installed!

- Only start the device when it is completely assembled.
- Support the device on the ground for starting and hold it firmly.


1. Maintain a distance from flammable materials.
2. Take a safe standing position.
3. Place the device on the ground in front of you
4. Hold the device by the upper bracket with your left hand
5. Grasp the pull starter with your right hand

### Starting with cold engine

1. Slide the ON / OFF switch 2 to position 1.
2. Gently press the primer pump below choke lever 5 several times until fuel enters the pump.
3. Push the starting lever 5 (choke) to 
4. Pull out the starting cord 7 at the  starting handle slowly until resistance is reached.
5. Pull quickly on the start cord and then release it slowly.





Do not pull out the starting cable completely and do not let the starting handle snap back on the engine.

6. Push the starting lever (choke) to  approx. 20-30sec. after the engine has started
7. The engine rotates in idle speed
8. Before starting work, let the appliance warm up at idle for about 2-3 minutes and slowly start to pull the throttle lever 2.

### Stop the engine

1. Release throttle 2.
2. Set the ON / OFF switch to position 0

### Starting with a warm engine

1. Move ON / OFF switch 2 to position 1.
2. Push the start lever (choke) to 
3. Pull the starting cord on the starting handle  until the engine starts.

## 13. Working notes



Perform the following checks regularly before commissioning and during operation:

- **Always hold the device with both hands on the front and rear handle.**
- **Is the device complete and correctly installed?**
- Make sure that all nuts and bolts are tightened.
- Is the device in good and safe condition?
- Are all safety functions in order?
- **Is the gas tank full?**
- **Are the engine and muffler free of deposits, leaves or lubricants?**
- **Is the handle clean and dry (no oil, grease or resin)?**
- **Is the workplace free of obstacles that you could trip over?**
- **Are you wearing the necessary protective device?**
- **Have you read and understood the instructions?**
- **Are the throttle levers smooth and the locking knob functional?**
- **Is the ON/OFF switch functional?**
- **Make sure that the gear device has sufficient lubrication** (see "Maintenance").

## 14. Maintenance and care

### Before any maintenance and cleaning work

- **Switch off the engine**
- **Wait until the engine has come to a standstill**
- **Disconnect spark plug connector (except when adjusting the idle speed)**

Due to the risk of fire, do not carry out maintenance work in the vicinity of open flame.

Maintenance and cleaning work not described in this chapter may only be carried out by customer service.

Safety devices that have been removed for maintenance and cleaning must be properly checked and reattached before use.

Only use original parts. Other parts may cause unforeseeable damage or pose a danger to the user.

### Maintenance



Wear gloves to avoid injury.

To ensure a long and reliable use of the device, carry out the following maintenance work regularly.

Check the device for obvious defects such as

- loose fastenings
- worn or damaged components



- Tank cap and fuel lines for their tightness

Check the device for wear after each use.


### Clean or replace the air filter

Clean the air filter regularly to remove dust and dirt to prevent

- performance losses,
- startup problems,
- too high fuel consumption

Clean the air filter approx. every 8 operating hours, or even more often in particularly dusty conditions.



1. Set the starting lever (choke) to the  position so that no dirt gets into the carburettor
2. Remove the air filter cover.
3. Remove the foam air filter.
4. Wash the air filter in lukewarm soapy water.



Do not blow out the dirt, there is a danger of eye injuries!

5. Clean the inside of the air filter with a brush.
6. Allow the air filter to dry thoroughly and replace it.
7. Replace the air filter cover



Replace the air filter regularly.

Damaged air filters must be replaced before starting work.

### Clean or replace the fuel filter

Check the fuel filter if necessary. A dirty fuel filter hinders the fuel supply.

Open the fuel filler cap and pull the fuel filter through the opening with a wire hook.

- light soiling → remove the fuel filter from the fuel line and clean the filter in cleaning gasoline
- heavy dirt → replace the fuel filter

### Change or check spark plug

High voltage! Do not touch the spark plug or the spark plug connector while the engine is running.

Danger of burns when the engine is hot. Wear protective gloves!

Check the spark plug and the distance between the electrodes regularly.

Proceed as follows:

1. remove the spark plug connector from the spark plug
2. unscrew the spark plug with the spark plug wrench provided.

The electrode gap should be between 0.3 and 0.4 mm.

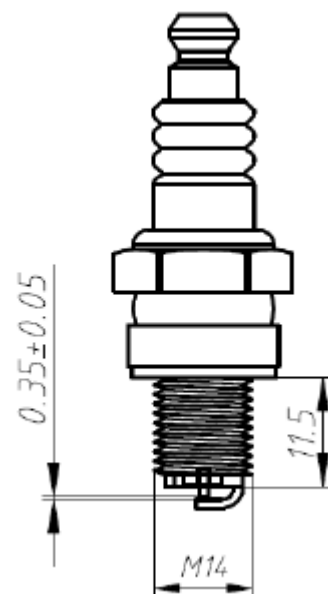
Clean the spark plug if it is dirty.

Replace the spark plug:

- if it has a damaged insulation body
- in case of heavy burn-up of the electrodes
- for very dirty or oily electrodes
- every month in regular operation

Use one of the following spark plugs:

Torch BMR6A



### Check ignition sparks

1. Remove the spark plug connector from the spark plug
2. Unscrew the spark plug with the spark plug wrench provided.
3. Insert the spark plug connector firmly.
4. Press the spark plug against the engine casing (not near the spark plug hole) with insulated pliers.
5. Slide the on / off switch to the "start" position.
6. Pull strongly the starting rope at the starting handle.

A spark must be visible between the electrodes if the system is functioning properly.

### Muffler/outlet opening

Do not tighten the muffler screws when the engine is hot.

1. Check regularly that the screws (D) of the muffler have not become loose → If they are loose, hand-tighten them.
2. Regularly clean the outlet opening (E).

### Care

Clean the device carefully after each use to ensure that it continues to function properly.

- Clean the housing with a soft brush or dry cloth.  
Water, solvents and polishing agents must not be used.
- Make sure that the ventilation slots for cooling the engine remain free (danger of overheating).
- Clean and oil all moving parts **regularly**.  
**Do not use grease!** Use environmentally friendly oil.

**Warning:** failure to carry out maintenance regularly can cause serious damage to the device and persons.

## 15. Technical data

Designation	FUXTEC leaf blower/ vacuum cleaner 3in1
Model	FX-LBS126; FX-LB126
Engine power max. at speed.	700 W at 7,000 min <sup>-1</sup>
Idle speed	3,000 ± 200 min <sup>-1</sup>
Cubic capacity	26 cc
Average air volume	0.2 m <sup>3</sup> /s
Max. Air Velocity	71 m/s
Foliage bag volume	45 l
Fuel tank contents.	0.45 l
Mixing ratio (fuel/two-stroke oil)	40:1
Guaranteed sound power level	LwA 112 dB (A)
Weight (tank empty)	5.6 kg

**WARNING:** Only approved, original spare parts as mentioned in this manual may be used. Non-approved spare parts can cause serious injury

## 16. Troubleshooting

<b>Malfunction</b>	<b>Cause</b>	<b>Troubleshooting</b>
The Engine does not start	<ol style="list-style-type: none"> <li>1. Tank is empty</li> <li>2. the engine is flooded</li>   <li>3. Spark plug dirty (carbon residues on the electrodes), electrode gap too large</li>   <li>4. Carburettor nozzles dirty</li>   <li>5. Damaged spark plug connection</li>   <li>6. No ignition spark</li> </ol>	<ol style="list-style-type: none"> <li>1. Fill up with petrol</li> <li>2. Remove gas, start several times, remove spark plug if necessary clean and dry the spark plug</li>   <li>3. Clean spark plug, check heat value of spark plug, replace spark plug if necessary or adjust electrode gap to 0.6mm – 0.7mm</li>   <li>4. Clean carburettor</li>   <li>5. renew</li>   <li>6. Check on/off switch, check cables, check ignition module, replace ignition module if necessary</li> </ol>
Engine runs too fast at idle	Engine is cold	Slowly warm up, close choke
The engine does not give maximum power	<ol style="list-style-type: none"> <li>1. Spark plug dirty (carbon residues on the electrodes), electrode gap too large</li>   <li>2. Carburettor nozzles dirty</li>   <li>3. Dirty air filter</li>   <li>4. Exhaust is dirty</li>   <li>5. Seal in crankcase leaking</li> </ol>	<ol style="list-style-type: none"> <li>1. Clean spark plug, check heat value of spark plug, replace spark plug if necessary or adjust electrode gap to 0.6mm – 0.7mm</li>   <li>2. Clean carburettor</li>   <li>3. Clean air filter</li>   <li>4. Dismantle and clean the exhaust pipe</li>   <li>5. renew</li> </ol>

	<p>6. Cylinder and piston rings worn</p> <p>7. Wrong fuel mixture</p> <p>8. Wrong ignition</p>	<p>6. Replace cylinder and piston rings</p> <p>7. Pump out fuel mixture and refuel according to instructions</p> <p>8. Set gap dimension (0.6mm – 0.7mm)</p>
<p>The motor does not stop</p>	<p>1. Spark plug light grey with signs of glowing (melting beads)</p> <p>2. Coal residues in the combustion chamber</p>	<p>1. Install spark plug with higher heat value</p> <p>2. Clean cylinder head, piston crown and cylinder passages</p>

## **17. Customer Service**

Have your purchased device repaired only by qualified personnel and only with original spare parts. This will ensure that the safety of the device is maintained.

Contact: FUXTEC GmbH, Kappstrasse 69, 71083 Herrenberg, [info@fuxtec.de](mailto:info@fuxtec.de)

## **18. Warranty**

The warranty period is 24 months from date of purchase. Please keep your proof of purchase in a safe place. Excluded from the warranty are wearing parts and damage caused by improper use, use of force, technical modifications, use of incorrect accessories or non-original spare parts and repair attempts by non-qualified personnel. Warranty repairs may only be carried out by authorised specialist dealers.

## **19. Disposal information**

Please contact your local council for the disposal of the device. Please dispose of all operating materials such as petrol and oil in advance.

## 20. EC Declaration of Conformity

-----  
We,  
FUXTEC GmbH - Kappstraße 69 -GERMANY

hereby declare that the following designated device corresponds to the relevant, fundamental safety and health requirements of the EC directives due to its design and construction and in the version marketed by us.

This declaration relates only to the device in the condition in which it was placed on the market, and does not take account of parts added and/or interventions carried out subsequently by the end user.

- |                            |  |
|----------------------------|--|
| 1. Product / function:     | Gasoline appliance for sucking/blowing leaves  |
| 2. Type designation:       | FX-LB126, FX-LBS126  |
| 3. Serial number:          | LB126-xxxx, LBS126-xxxx  |
| 4. Relevant EC Directives: | Devicery Directive 2006/42/EC<br>Emissions Directive Stage II 2012/46/EC<br>Noise Directive 2000/14/EC |

Measured sound power level	lpa 96 db (A)
Guaranteed sound power level	lwa 112 db (A)

Herrenberg, August 6th, 2019



Tim Gumprecht  
manufacturer:

FUXTEC GmbH  
Kappstrasse 69  
71083 Herrenberg  
GERMANY

Storage of technical documentation:  
FUXTEC GmbH, Kappstrasse 69, 71083 Herrenberg, Germany  
Tim Gumprecht, management

